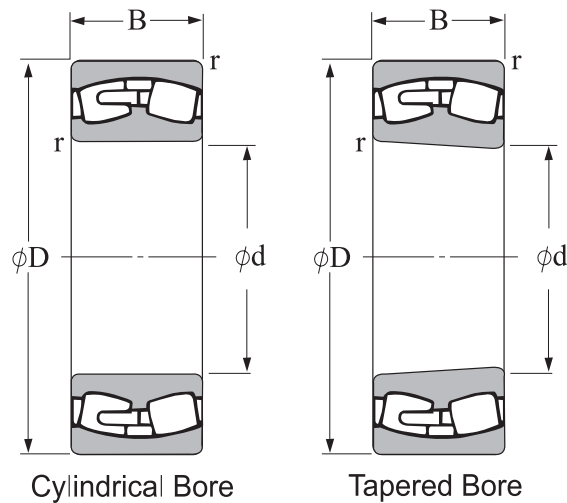


d 25~40mm

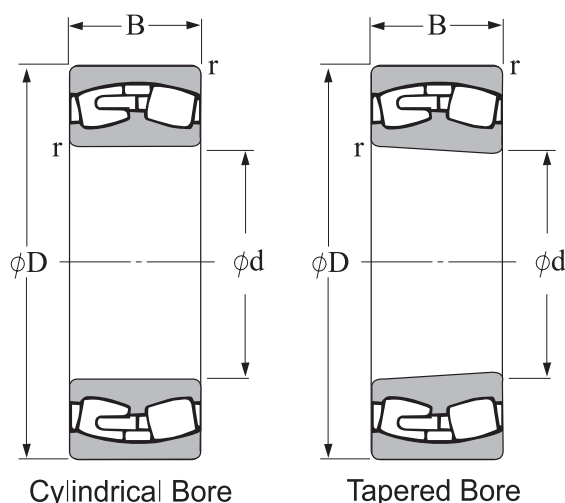
d	Boundary dimensions			Basic load ratings				Limiting speeds		Bearing numbers	Adapter sleeve	Mass (approx.) kg
	mm			dynamic	static	dynamic	static	min ⁻¹				
	D	B	r _{s min}	C _r (kN)	C _{or}	C _r (kgf)	C _{or}	grease	oil			
25	52	18	1.0	35.80	34.70	3,652	3,539	7500	10000	22205CC		0.175
	52	18	1.0	35.80	34.70	3,652	3,539	7500	10000	22205CK	H305	0.175
	52	18	1.0	35.80	34.70	3,652	3,539	7000	9800	22205KMBW33	H305	0.176
	52	18	1.0	35.80	34.70	3,652	3,539	7000	9800	22205MBW33		0.177
30	72	19	1.1	51.50	49.40	5,253	5,039	5800	7800	21306CC		0.420
	72	19	1.1	51.50	49.40	5,253	5,039	5800	7800	21306CK	H306	0.420
	72	19	1.1	51.50	49.40	5,253	5,039	5200	7400	21306KMBW33	H306	0.420
	72	19	1.1	51.50	49.40	5,253	5,039	5200	7400	21306MBW33		0.420
	62	20	1.0	49.40	48.70	5,039	4,967	6300	8500	22206CC		0.280
	62	20	1.0	49.40	48.70	5,039	4,967	6300	8500	22206CK	H306	0.280
	62	20	1.0	49.40	48.70	5,039	4,967	6000	8000	22206KMBW33	H306	0.280
	62	20	1.0	49.40	48.70	5,039	4,967	6000	8000	22206MBW33		0.290
35	80	21	1.5	63.10	61.30	6,436	6,253	5000	6700	21307CC		0.560
	80	21	1.5	63.10	61.30	6,436	6,253	5000	6700	21307CK	H307	0.560
	80	21	1.5	63.10	61.30	6,436	6,253	5000	6700	21307KMBW33	H307	0.560
	80	21	1.5	63.10	61.30	6,436	6,253	4500	6000	21307MBW33		0.560
	72	23	1.1	68.70	70.30	7,007	7,171	5300	7000	22207CC		0.430
	72	23	1.1	68.70	70.30	7,007	7,171	5300	7000	22207CK	H307	0.430
	72	23	1.1	68.70	70.30	7,007	7,171	5000	6600	22207KMBW33	H307	0.450
	72	23	1.1	68.70	70.30	7,007	7,171	5000	6600	22207MBW33		0.450
	80	31	1.5	105.00	107.00	10,710	10,914	5100	6700	22307CC		0.733
	80	31	1.5	105.00	107.00	10,710	10,914	5100	6700	22307CK	H2307	0.733
	80	31	1.5	105.00	107.00	10,710	10,914	5100	6700	22307KMBW33	H2307	0.733
	80	31	1.5	105.00	107.00	10,710	10,914	5100	6000	22307MBW33		0.733
40	90	23	1.5	82.80	82.20	8,446	8,384	4500	6000	21308CC		0.710
	90	23	1.5	82.80	82.20	8,446	8,384	4500	6000	21308CK	H308	0.700
	90	23	1.5	82.80	82.20	8,446	8,384	4200	5600	21308KMBW33	H308	0.750
	90	23	1.5	82.80	82.20	8,446	8,384	4200	5800	21308MBW33		0.750
	80	23	1.1	77.50	81.50	7,905	8,313	4800	6300	22208CC		0.520
	80	23	1.1	77.50	81.50	7,905	8,313	4800	6300	22208CK	H308	0.510
	80	23	1.1	77.50	81.50	7,905	8,313	4800	6000	22208KMBW33	H308	0.550
	80	23	1.1	77.50	81.50	7,905	8,313	4500	6000	22208MBW33		0.550
	90	33	1.5	125.00	134.00	12,750	13,668	4300	5600	22308CC		1.100
	90	33	1.5	125.00	134.00	12,750	13,668	4300	5600	22308CK	H2308	1.000

Spherical Roller Bearings



d 40~55mm

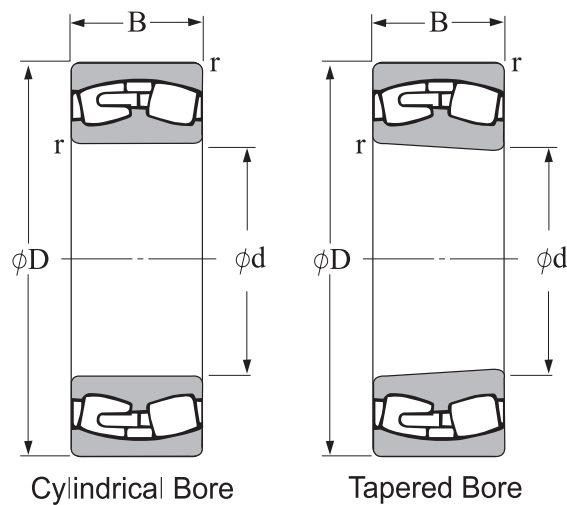
d	Boundary dimensions			Basic load ratings				Limiting speeds		Bearing numbers	Adapter sleeve	Mass kg (approx.)	
	mm			dynamic	static	dynamic	static	min ⁻¹					
	D	B	r _{s min}	C _r	C _{or}	C _r	C _{or}	grease	oil				
40	90	33	1.5	125.00	134.00	12,750	13,668	3800	5000	22308KMBW33	H2308	1.200	
	90	33	1.5	125.00	134.00	12,750	13,668	3800	5000	22308MBW33		1.200	
45	100	25	1.5	102.00	103.00	10,404	10,506	4000	5300	21309CC	H309	0.950	
	100	25	1.5	102.00	103.00	10,404	10,506	4000	5300	21309CK		0.940	
	100	25	1.5	102.00	103.00	10,404	10,506	3800	5000	21309KMBW33		1.020	
	100	25	1.5	102.00	103.00	10,404	10,506	3800	5000	21309MBW33		1.020	
	85	23	1.1	82.30	85.90	8,395	8,762	4500	6000	22209CC		0.560	
	85	23	1.1	82.30	85.90	8,395	8,762	4500	6000	22209CK		H309	0.550
	85	23	1.1	82.30	85.90	8,395	8,762	4300	5800	22209KMBW33		H309	0.550
	85	23	1.1	82.30	85.90	8,395	8,762	4300	5800	22209MBW33		0.590	
	100	36	1.5	150.00	156.00	15,300	15,912	3800	5000	22309CC		1.350	
	100	36	1.5	150.00	156.00	15,300	15,912	3800	5000	22309CK		H2309	1.300
100	36	1.5	150.00	156.00	15,300	15,912	3400	4500	22309KMBW33	H2309	1.360		
100	36	1.5	150.00	156.00	15,300	15,912	3400	4500	22309MBW33	1.360			
50	110	27	2.0	121.00	124.00	12,342	12,648	3600	4800	21310CC	H310	1.250	
	110	27	2.0	121.00	124.00	12,342	12,648	3600	4800	21310CK		1.200	
	110	27	2.0	121.00	124.00	12,342	12,648	3200	4500	21310KMBW33		1.300	
	110	27	2.0	121.00	124.00	12,342	12,648	3200	4500	21310MBW33		1.300	
	90	23	1.1	87.40	93.90	8,915	9,578	4000	5300	22210CC		0.610	
	90	23	1.1	87.40	93.90	8,915	9,578	4000	5300	22210CK		H310	0.600
	90	23	1.1	87.40	93.90	8,915	9,578	3700	5000	22210KMBW33		H310	0.870
	90	23	1.1	87.40	93.90	8,915	9,578	3700	5000	22210MBW33		0.870	
	110	40	2.0	184.00	203.00	18,768	20,706	3400	4500	22310CC		1.850	
	110	40	2.0	184.00	203.00	18,768	20,706	3400	4500	22310CK		H2310	1.800
110	40	2.0	184.00	203.00	18,768	20,706	3000	4000	22310KMBW33	H2310	1.840		
110	40	2.0	184.00	203.00	18,768	20,706	3000	4000	22310MBW33	1.840			
55	120	29	2.0	158.00	191.00	16,116	19,482	3200	4300	21311CC	H311	1.650	
	120	29	2.0	158.00	191.00	16,116	19,482	3200	4300	21311CK		1.600	
	120	29	2.0	158.00	191.00	16,116	19,482	3000	4000	21311KMBW33		1.650	
	120	29	2.0	158.00	191.00	16,116	19,482	2800	3600	21311MBW33		2.430	
	100	25	1.5	109.00	118.00	11,118	12,036	3800	5000	22211CC		0.820	
	100	25	1.5	109.00	118.00	11,118	12,036	3800	500	22211CK		H311	0.800
	100	25	1.5	109.00	118.00	11,118	12,036	3500	4700	22211KMBW33		H311	0.860
	100	25	1.5	109.00	118.00	11,118	12,036	3500	4700	22211MBW33		0.860	



d 55~70mm

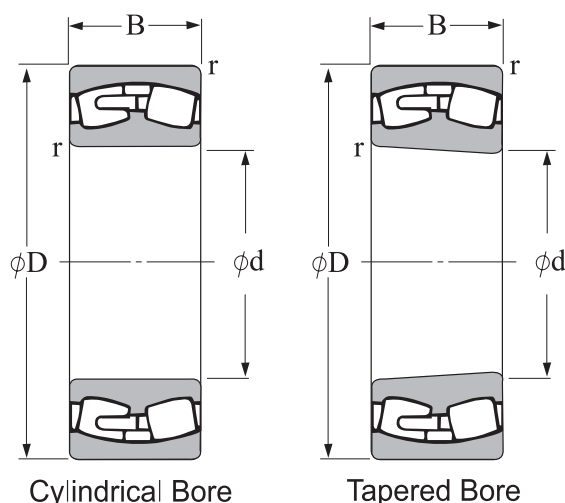
d	Boundary dimensions			Basic load ratings				Limiting speeds		Bearing numbers	Adapter sleeve	Mass (approx.) kg
	mm			dynamic	static	dynamic	static	min ⁻¹				
	D	B	r _{s min}	C _r	C _{or}	C _r	C _{or}	grease	oil			
55	120	43	2.0	205.00	241.00	20,910	24,582	3000	4000	22311CC		2.350
	120	43	2.0	205.00	241.00	20,910	24,582	3000	4000	22311CK	H2311	2.300
	120	43	2.0	205.00	241.00	20,910	24,582	2800	3600	22311KMBW33	H2311	2.430
	120	43	2.0	205.00	241.00	20,910	24,582	2800	3600	22311MBW33		2.430
60	130	31	2.1	173.00	204.00	17,646	20,808	3400	4500	21312CC		1.950
	130	31	2.1	173.00	204.00	17,646	20,808	3000	4000	21312CK	H312	1.900
	130	31	2.1	173.00	204.00	17,646	20,808	3100	4100	21312KMBW33	H312	2.100
	130	31	2.1	173.00	204.00	17,646	20,808	3100	4100	21312MBW33		2.100
	110	28	1.5	130.00	144.00	13,260	14,688	3400	4500	22212CC		1.160
	110	28	1.5	130.00	144.00	13,260	14,688	3400	4500	22212CK	H312	1.100
	110	28	1.5	130.00	144.00	13,260	14,688	3100	4200	22212KMBW33	H312	1.220
	110	28	1.5	130.00	144.00	13,260	14,688	3100	4200	22212MBW33		1.220
	130	46	2.1	239.00	279.00	24,378	28,458	2800	3800	22312CC		2.950
	130	46	2.1	239.00	279.00	24,378	28,458	2800	3800	22312CK	H2312	2.850
65	140	33	2.1	198.00	239.00	20,196	24,378	2800	3800	21313CC		2.450
	140	33	2.1	198.00	239.00	20,196	24,378	2800	3800	21313CK	H313	2.400
	140	33	2.1	198.00	239.00	20,196	24,378	2300	3500	21313KMBW33	H313	2.570
	140	33	2.1	198.00	239.00	20,196	24,378	2300	3500	21313MBW33		2.570
	120	31	1.5	149.00	190.00	15,198	19,380	3000	4000	22213CC		1.450
	120	31	1.5	149.00	190.00	15,198	19,380	3000	4000	22213CK	H313	1.400
	120	31	1.5	149.00	190.00	15,198	19,380	2800	3600	22213KMBW33	H313	1.730
	120	31	1.5	149.00	190.00	15,198	19,380	2800	3600	22213MBW33		1.730
	140	48	2.1	262.00	309.00	26,724	31,518	2800	3600	22313CC		3.550
	140	48	2.1	262.00	309.00	26,724	31,518	2800	3600	22313CK	H2313	3.450
70	150	35	2.1	231.00	286.00	23,562	29,172	2600	3400	21314CC		3.100
	150	35	2.1	231.00	286.00	23,562	29,172	2600	3400	21314CK	H314	3.000
	150	35	2.1	231.00	286.00	23,562	29,172	2200	3000	21314KMBW33	H314	3.110
	150	35	2.1	231.00	286.00	23,562	29,172	2200	3000	21314MBW33		3.110
	125	31	1.5	161.00	208.00	16,422	21,216	2800	3800	22214CC		1.550
	125	31	1.5	161.00	208.00	16,422	21,216	2800	3800	22214CK	H314	1.500

Spherical Roller Bearings



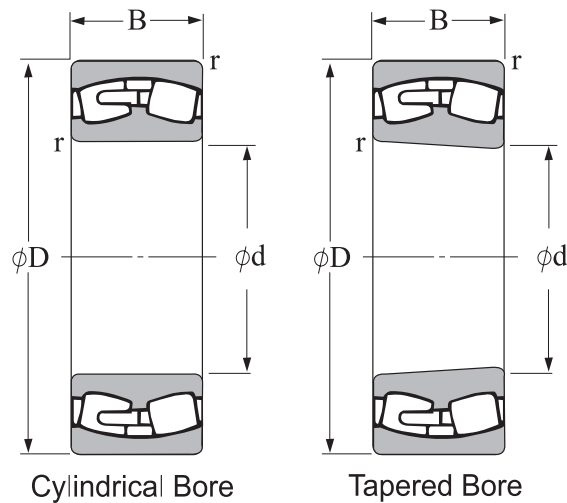
d 70~85mm

Boundary dimensions				Basic load ratings				Limiting speeds		Bearing numbers	Adapter sleeve	Mass kg (approx.)
mm				dynamic	static	dynamic	static	min ⁻¹				
d	D	B	r _{s.min}	C _r	C _{or}	C _r	C _{or}	grease	oil			
				kN		kgf						
70	125	31	1.5	161.00	208.00	16,422	21,216	2200	3300	22214KMBW33	H314	1.660
	125	31	1.5	161.00	208.00	16,422	21,216	2200	3300	22214MBW33		1.660
	150	51	2.1	311.00	364.00	31,722	37,128	2400	3200	22314CC		4.350
	150	51	2.1	311.00	364.00	31,722	37,128	2400	3200	22314CK	H2314	4.300
	150	51	2.1	311.00	364.00	31,722	37,128	2200	2800	22314KMBW33	H2314	4.300
	150	51	2.1	311.00	364.00	31,722	37,128	2200	2800	22314MBW33		4.300
75	160	37	2.1	250.00	312.00	25,500	31,824	2400	3200	21315CC		3.550
	160	37	2.1	250.00	312.00	25,500	31,824	2400	3200	21315CK	H315	3.500
	160	37	2.1	250.00	312.00	25,500	31,824	2100	2900	21315KMBW33	H315	3.760
	160	37	2.1	250.00	312.00	25,500	31,824	2100	2900	21315MBW33		3.760
	130	31	1.5	167.00	221.00	17,034	22,542	2800	3800	22215CC		1.650
	130	31	1.5	167.00	221.00	17,034	22,542	2800	3800	22215CK	H315	1.600
	130	31	1.5	167.00	221.00	17,034	22,542	2600	3400	22215KMBW33	H315	1.720
	130	31	1.5	167.00	221.00	17,034	22,542	2600	3400	22215MBW33		1.720
	160	55	2.1	342.00	412.00	34,884	42,024	2200	3000	22315CC		5.250
	160	55	2.1	342.00	412.00	34,884	42,024	2200	3000	22315CK	H2315	5.150
160	55	2.1	342.00	412.00	34,884	42,024	2200	2800	22315KMBW33	H2315	5.260	
160	55	2.1	342.00	412.00	34,884	42,024	2200	2800	22315MBW33		5.260	
80	170	39	2.1	256.00	316.00	26,112	32,232	2200	3000	21316CC		4.250
	170	39	2.1	256.00	316.00	26,112	32,232	2200	3000	21316CK	H316	4.200
	170	39	2.1	256.00	316.00	26,112	32,232	1800	2400	21316KMBW33	H316	6.200
	170	39	2.1	256.00	316.00	26,112	32,232	1800	2400	21316MBW33		6.200
	140	33	2.0	201.00	249.00	20,502	25,398	2600	3400	22216CC		2.050
	140	33	2.0	201.00	249.00	20,502	25,398	2600	3400	22216CK	H316	2.050
	140	33	2.0	201.00	249.00	20,502	25,398	2200	3000	22216KMBW33	H316	2.140
	140	33	2.0	201.00	249.00	20,502	25,398	2200	3000	22216MBW33		2.140
	170	58	2.1	392.00	480.00	39,984	48,960	2000	2600	22316CC		6.290
	170	58	2.1	392.00	480.00	39,984	48,960	2000	2600	22316CK	H2316	6.290
170	58	2.1	392.00	480.00	39,984	48,960	1800	2400	22316KMBW33	H2316	6.100	
170	58	2.1	392.00	480.00	39,984	48,960	1800	2400	22316MBW33		6.200	
85	180	41	3.0	304.00	387.00	31,008	39,474	2200	2800	21317CC		5.100
	180	41	3.0	304.00	387.00	31,008	39,474	2200	2800	21317CK	H317	5.000
	180	41	3.0	304.00	387.00	31,008	39,474	1900	2400	21317KMBW33	H317	5.230
	180	41	3.0	304.00	387.00	31,008	39,474	1900	2400	21317MBW33		5.230



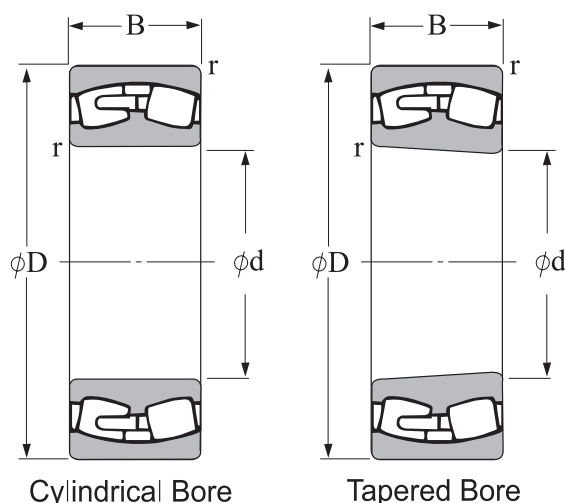
d 85~95mm

Boundary dimensions				Basic load ratings				Limiting speeds		Bearing numbers	Adapter sleeve	Mass kg (approx.)
mm				dynamic	static	dynamic	static	min ⁻¹				
<i>d</i>	<i>D</i>	<i>B</i>	<i>r_{s min}</i>	<i>C_r</i>	<i>C_{or}</i>	<i>C_r</i>	<i>C_{or}</i>	grease	oil			
				kN				kgf				
85	150	36	2.0	224.00	285.00	22,848	29,070	2400	3200	22217CC		2.570
	150	36	2.0	224.00	285.00	22,848	29,070	2400	3200	22217CK	H317	2.500
	150	36	2.0	224.00	285.00	22,848	29,070	2200	2800	22217KMBW33	H317	2.780
	150	36	2.0	224.00	285.00	22,848	29,070	2200	2800	22217MBW33		2.780
	180	60	3.0	397.00	481.00	40,494	49,062	1800	2400	22317CC		8.590
	180	60	3.0	397.00	481.00	40,494	49,062	1800	2400	22317CK	H2317	8.590
	180	60	3.0	397.00	481.00	40,494	49,062	1700	2200	22317KMBW33	H2317	7.200
	180	60	3.0	397.00	481.00	40,494	49,062	1700	2200	22317MBW33		7.220
90	190	43	3.0	347.00	443.00	35,394	45,186	2200	2800	21318CC		5.800
	190	43	3.0	347.00	443.00	35,394	45,186	2200	2800	21318CK	H318	5.700
	190	43	3.0	347.00	443.00	35,394	45,186	1800	2500	21318KMBW33	H318	6.170
	190	43	3.0	347.00	443.00	35,394	45,186	1800	2500	21318MBW33		6.170
	160	40	2.0	246.00	330.00	25,092	33,660	2200	3000	22218CC		3.400
	160	40	2.0	246.00	330.00	25,092	33,660	2200	300	22218CK	H318	3.200
	160	40	2.0	246.00	330.00	25,092	33,660	2200	2800	22218KMBW33	H318	3.570
	160	40	2.0	246.00	330.00	25,092	33,660	2200	2800	22218MBW33		3.570
	190	64	3.0	458.00	556.00	46,716	56,712	1800	2400	22318CC		8.700
	190	64	3.0	458.00	556.00	46,716	56,712	1800	2400	22318CK	H2318	8.500
	190	64	3.0	458.00	556.00	46,716	56,712	1700	2200	22318KMBW33	H2318	8.690
	190	64	3.0	458.00	556.00	46,716	56,712	1700	2200	22318MBW33		8.690
	160	52.4	2.0	317.00	459.00	32,334	46,818	2200	3000	23218CC		4.400
	160	52.4	2.0	317.00	459.00	32,334	46,818	2200	3000	23218CK	H2318	4.700
160	52.4	2.0	317.00	459.00	32,334	46,818	1500	2000	23218KMBW33	H2318	4.600	
160	52.4	2.0	317.00	459.00	32,334	46,818	1500	2000	23218MBW33		4.600	
95	200	45	3.0	373.00	480.00	38,046	48,960	1900	2600	21319CC		7.150
	200	45	3.0	373.00	480.00	38,046	48,960	1900	2600	21319CK	H319	7.150
	200	45	3.0	373.00	480.00	38,046	48,960	1800	2400	21319KMBW33	H319	7.000
	200	45	3.0	373.00	480.00	38,046	48,960	1800	2400	21319MBW33		7.150
	170	43	2.1	296.00	386.00	30,192	39,372	2200	2800	22219CC		4.260
	170	43	2.1	296.00	386.00	30,192	39,372	2200	2800	22219CK	H319	4.260
	170	43	2.1	296.00	386.00	30,192	39,372	2000	2600	22219KMBW33	H319	4.000
	170	43	2.1	296.00	386.00	30,192	39,372	2000	2600	22219MBW33		4.240
	200	67	3.0	504.00	623.00	51,408	63,546	1700	2200	22319CC		11.300
	200	67	3.0	504.00	623.00	51,408	63,546	1700	2200	22319CK	H2319	11.300
	200	67	3.0	504.00	623.00	51,408	63,546	1500	2000	22319KMBW33	H2319	10.000



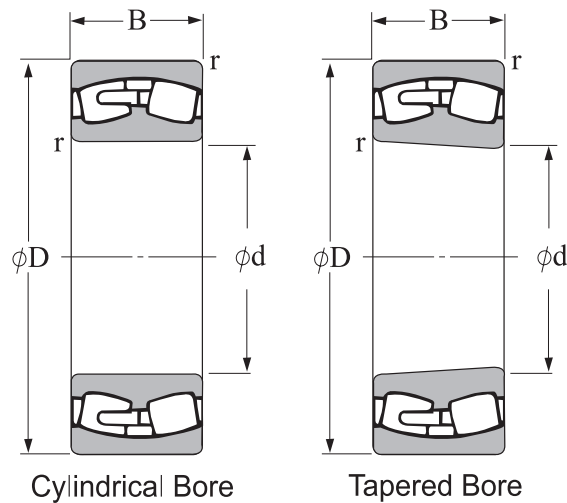
d 95~110mm

Boundary dimensions				Basic load ratings				Limiting speeds		Bearing numbers	Adapter sleeve	Mass kg (approx.)
mm				dynamic	static	dynamic	static	min ⁻¹				
<i>d</i>	<i>D</i>	<i>B</i>	<i>r_{s.min}</i>	<i>C_r</i> kN	<i>C_{or}</i>	<i>C_r</i> kgf	<i>C_{or}</i>	grease	oil			
95	200	67	3.0	504.00	623.00	51,408	63,546	1500	2000	22319MBW33		10.100
	215	47	3.0	414.00	528.00	42,228	53,856	1800	2400	21320CC		8.810
	215	47	3.0	414.00	528.00	42,228	53,856	1800	2400	21320CK	H320	8.810
	215	47	3.0	414.00	528.00	42,228	53,856	1700	2200	21320KMBW33	H320	8.300
	215	47	3.0	414.00	528.00	42,228	53,856	1700	2200	21320MBW33		8.800
	180	46	2.1	335.00	453.00	34,170	46,206	2200	2800	22220CC		5.240
	180	46	2.1	335.00	453.00	34,170	46,206	2200	2800	22220CK	H320	5.240
	180	46	2.1	335.00	453.00	34,170	46,206	2000	2600	22220KMBW33	H320	4.800
	180	46	2.1	335.00	453.00	34,170	46,206	2000	2600	22220MBW33		4.850
	215	73	3.0	579.00	713.00	59,058	72,726	1500	2000	22320CC		13.200
	215	73	3.0	579.00	713.00	59,058	72,726	1500	2000	22320CK	H2320	13.000
	215	73	3.0	579.00	713.00	59,058	72,726	1400	1800	22320KMBW33	H2320	12.700
100	215	73	3.0	579.00	713.00	59,058	72,726	1400	1800	22320MBW33		12.700
	165	52	2.0	297.00	493.00	30,294	50,286	2200	3000	23120CC		4.310
	165	52	2.0	297.00	493.00	30,294	50,286	2200	3000	23120CK	H3120	4.310
	165	52	2.0	297.00	493.00	30,294	50,286	2000	2600	23120KMBW33	H3120	4.400
	165	52	2.0	297.00	493.00	30,294	50,286	2000	2600	23120MBW33		4.500
	180	60.3	2.1	415.00	599.00	42,330	61,098	1700	2200	23220CC		7.340
	180	60.3	2.1	415.00	599.00	42,330	61,098	1700	2200	23220CK	H2320	7.340
	180	60.3	2.1	415.00	599.00	42,330	61,098	1500	2000	23220KMBW33	H2320	6.500
	180	60.3	2.1	415.00	599.00	42,330	61,098	1500	2000	23220MBW33		6.700
	150	50	1.5	251.00	448.00	25,602	45,696	1600	2100	24020CC		3.035
	150	50	1.5	251.00	448.00	25,602	45,696	1600	2100	24020CK		3.035
	150	50	1.5	251.00	448.00	25,602	45,696	1600	2100	24020K30MBW33		3.035
	150	50	1.5	251.00	448.00	25,602	45,696	1600	2100	24020MBW33		3.035
	200	53	2.1	411.00	553.00	41,922	56,406	1900	2500	22222CC		7.250
	200	53	2.1	411.00	553.00	41,922	56,406	1900	2500	22222CK	H322	7.250
	200	53	2.1	411.00	553.00	41,922	56,406	1700	2200	22222KMBW33	H322	7.000
	200	53	2.1	411.00	553.00	41,922	56,406	1700	2200	22222MBW33		7.100
110	240	80	3.0	713.00	884.00	72,726	90,168	1400	1900	22322CC		18.000
	240	80	3.0	713.00	884.00	72,726	90,168	1400	1900	22322CK	H2322	17.500
	240	80	3.0	713.00	884.00	72,726	90,168	1300	1700	22322KMBW33	H2322	17.700
	240	80	3.0	713.00	884.00	72,726	90,168	1300	1700	22322MBW33		17.700
	170	45	2.0	286.00	478.00	29,172	48,756	2100	2800	23022CC		3.680
	170	45	2.0	286.00	478.00	29,172	48,756	2100	2800	23022CK	H3022	3.680



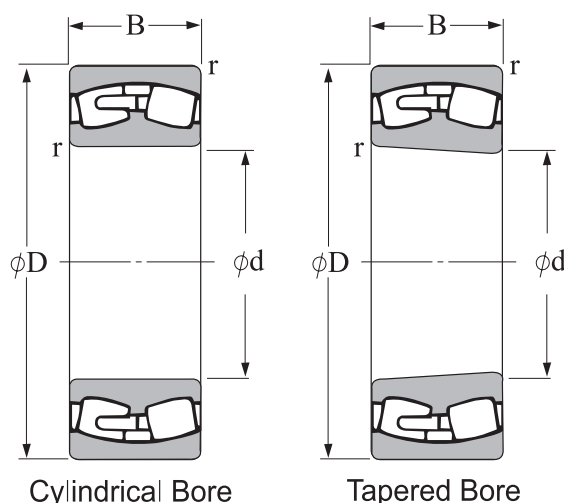
d 110~120mm

Boundary dimensions				Basic load ratings				Limiting speeds		Bearing numbers	Adapter sleeve	Mass kg (approx.)	
mm				dynamic	static	dynamic	static	min ⁻¹					
<i>d</i>	<i>D</i>	<i>B</i>	<i>r_{s min}</i>	<i>C_r</i> kN	<i>C_{or}</i> kN	<i>C_r</i> kgf	<i>C_{or}</i> kgf	grease	oil				
110	170	45	2.0	286.00	478.00	29,172	48,756	2000	2600	23022KMBW33	H3022	3.750	
	170	45	2.0	286.00	478.00	29,172	48,756	2000	2600	23022MBW33		3.750	
	180	56	2.0	346.00	591.00	35,292	60,282	2000	2600	23122CC		6.260	
	180	56	2.0	346.00	591.00	35,292	60,282	2000	2600	23122CK	H3122	6.260	
	180	56	2.0	346.00	591.00	35,292	60,282	1800	2400	23122KMBW33	H3122	5.500	
	180	56	2.0	346.00	591.00	35,292	60,282	1800	2400	23122MBW33		5.550	
	200	69.8	2.1	525.00	786.00	53,550	80,172	1400	1800	23222CC		10.800	
	200	69.8	2.1	525.00	786.00	53,550	80,172	1400	1800	23222CK	H2322	10.800	
	200	69.8	2.1	525.00	786.00	53,550	80,172	1200	1600	23222KMBW33	H2322	9.500	
	200	69.8	2.1	525.00	786.00	53,550	80,172	1200	1600	23222MBW33		9.700	
	180	69	2.0	472.00	798.00	48,144	81,396	1600	2000	24122CC		6.630	
	180	69	2.0	472.00	798.00	48,144	81,396	1600	2000	24122CK		6.630	
	180	69	2.0	472.00	798.00	48,144	81,396	1600	2000	24122K30MBW33		6.630	
	180	69	2.0	472.00	798.00	48,144	81,396	1600	2000	24122MBW33		6.630	
	120	215	58	2.1	492.00	673.00	50,184	68,646	1700	2200	22224CC		8.700
		215	58	2.1	492.00	673.00	50,184	68,646	1700	2200	22224CK	H3124	8.600
215		58	2.1	492.00	673.00	50,184	68,646	1500	2000	22224KMBW33	H3124	9.040	
215		58	2.1	492.00	673.00	50,184	68,646	1500	2000	22224MBW33		9.040	
260		86	3.0	812.00	1,050.00	82,824	107,100	1300	1700	22324CC		24.500	
260		86	3.0	812.00	1,050.00	82,824	107,100	1300	1700	22324CK	H2324	24.500	
260		86	3.0	812.00	1,050.00	82,824	107,100	1100	1500	22324KMBW33	H2324	21.800	
260		86	3.0	812.00	1,050.00	82,824	107,100	1100	1500	22324MBW33		22.000	
180		46	2.0	299.00	517.00	30,498	52,734	2000	2600	23024CC		4.250	
180		46	2.0	299.00	517.00	30,498	52,734	2000	2600	23024CK	H3024	4.250	
180		46	2.0	299.00	517.00	30,498	52,734	1800	2400	23024KMBW33	H3024	4.100	
180		46	2.0	299.00	517.00	30,498	52,734	1800	2400	23024MBW33		4.200	
200		62	2.0	447.00	760.00	45,594	77,520	1800	2400	23124CC		7.670	
200		62	2.0	447.00	760.00	45,594	77,520	1800	2400	23124CK	H3124	7.670	
200		62	2.0	447.00	760.00	45,594	77,520	1700	2200	23124KMBW33	H3124	7.600	
200		62	2.0	447.00	760.00	45,594	77,520	1700	2200	23124MBW33		7.800	
215		76	2.1	583.00	894.00	59,466	91,188	1300	1700	23224CC		13.100	
215		76	2.1	583.00	894.00	59,466	91,188	1300	1700	23224CK	H2324	13.100	
215		76	2.1	583.00	894.00	59,466	91,188	1100	1500	23224KMBW33	H2324	11.800	
215		76	2.1	583.00	894.00	59,466	91,188	1100	1500	23224MBW33		12.000	
180		60	2.0	391.00	695.00	39,882	70,890	1500	2000	24024CC		5.050	
180		60	2.0	391.00	695.00	39,882	70,890	1500	2000	24024CK		5.050	
180		60	2.0	391.00	695.00	39,882	70,890	1500	2000	24024K30MBW33		5.300	



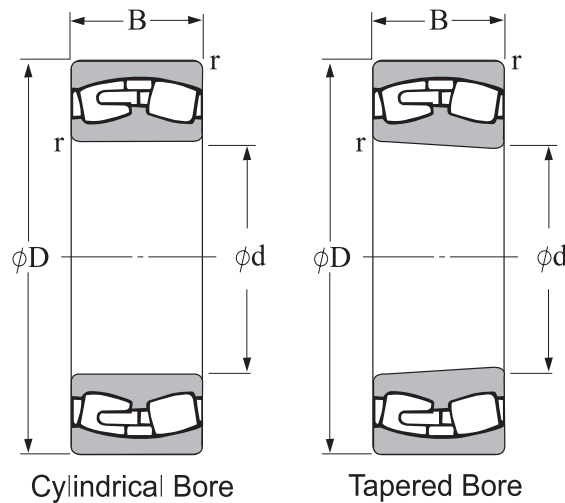
d 120~140mm

Boundary dimensions				Basic load ratings				Limiting speeds		Bearing numbers	Adapter sleeve	Mass kg (approx.)
mm				dynamic	static	dynamic	static	min ⁻¹				
<i>d</i>	<i>D</i>	<i>B</i>	<i>r_{s min}</i>	<i>C_r</i> kN	<i>C_{or}</i>	<i>C_r</i> kgf	<i>C_{or}</i>	grease	oil			
120	180	60	2.0	391.00	695.00	39,882	70,890	1400	1800	24024MBW33		5.120
	200	80	2.0	592.00	1,028.00	60,384	104,856	1400	1800	24124CC		9.650
	200	80	2.0	592.00	1,028.00	60,384	104,856	1400	1800	24124CK		9.650
	200	80	2.0	592.00	1,028.00	60,384	104,856	1000	1300	24124K30MBW33		10.000
	200	80	2.0	592.00	1,028.00	60,384	104,856	1000	1300	24124MBW33		10.200
130	230	64	3.0	569.00	789.00	58,038	80,478	1700	2200	22226CC		14.000
	230	64	3.0	569.00	789.00	58,038	80,478	1700	2200	22226CK	H3126	14.000
	230	64	3.0	569.00	789.00	58,038	80,478	1500	2000	22226KMBW33	H3126	11.200
	230	64	3.0	569.00	789.00	58,038	80,478	1500	2000	22226MBW33		11.200
	280	93	4.0	948.00	1,200.00	96,696	122,400	1200	1600	22326CC		34.200
	280	93	4.0	948.00	1,200.00	96,696	122,400	1200	1600	22326CK	H2326	34.200
	280	93	4.0	948.00	1,200.00	96,696	122,400	1100	1400	22326KMBW33	H2326	28.300
	280	93	4.0	948.00	1,200.00	96,696	122,400	1100	1400	22326MBW33		28.500
	200	52	2.0	377.00	654.00	38,454	66,708	1800	2400	23026CC		4.590
	200	52	2.0	377.00	654.00	38,454	66,708	1400	1800	23026CK	H3026	7.550
	200	52	2.0	377.00	654.00	38,454	66,708	1700	2200	23026KMBW33	H3026	6.000
	200	52	2.0	377.00	654.00	38,454	66,708	1700	2200	23026MBW33		6.100
	210	64	2.0	506.00	826.00	51,612	84,252	1700	2200	23126CC		9.700
	210	64	2.0	506.00	826.00	51,612	84,252	1700	2200	23126CK	H3126	9.700
	210	64	2.0	506.00	826.00	51,612	84,252	1500	2000	23126KMBW33	H3126	8.300
	210	64	2.0	506.00	826.00	51,612	84,252	1500	2000	23126MBW33		8.550
	230	80	3.0	668.00	1,030.00	68,136	105,060	1300	1700	23226CC		15.800
	230	80	3.0	668.00	1,030.00	68,136	105,060	1300	1700	23226CK	H2326	15.800
	230	80	3.0	668.00	1,030.00	68,136	105,060	1100	1500	23226KMBW33	H2326	13.800
	230	80	3.0	668.00	1,030.00	68,136	105,060	1100	1500	23226MBW33		14.000
200	69	2.0	486.00	878.00	49,572	89,556	1400	1800	24026CC		7.550	
200	69	2.0	486.00	878.00	49,572	89,556	1400	1800	24026CK		7.550	
200	69	2.0	486.00	878.00	49,572	89,556	1200	1600	24026K30MBW33		7.850	
200	69	2.0	486.00	878.00	49,572	89,556	1200	1600	24026MBW33		7.950	
210	80	2.0	603.00	1,061.00	61,506	108,222	1300	1700	24126CC		10.300	
210	80	2.0	603.00	1,061.00	61,506	108,222	1300	1700	24126CK		10.300	
210	80	2.0	603.00	1,061.00	61,506	108,222	900	1200	24126K30MBW33		10.800	
210	80	2.0	603.00	1,061.00	61,506	108,222	900	1200	24126MBW33		11.000	
140	250	68	3.0	658.00	928.00	67,116	94,656	1400	1900	22228CC		14.400
	250	68	3.0	658.00	928.00	67,116	94,656	1400	1900	22228CK	H3128	20.800
	250	68	3.0	658.00	928.00	67,116	94,656	1300	1700	22228KMBW33	H3128	13.800



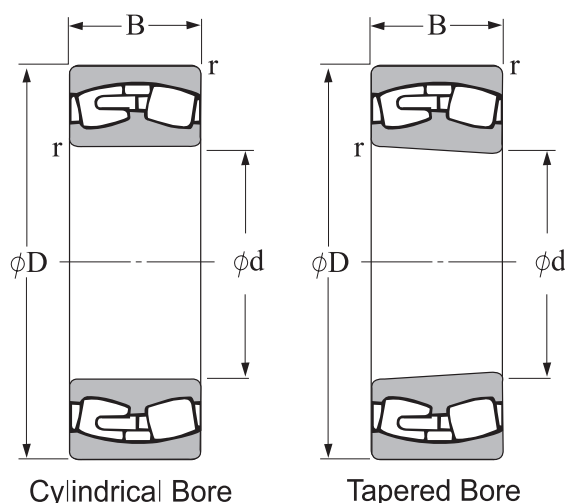
d 140~150mm

Boundary dimensions				Basic load ratings				Limiting speeds		Bearing numbers	Adapter sleeve	Mass kg (approx.)
mm				dynamic	static	dynamic	static	min ⁻¹				
d	D	B	r _{s min}	C _r	C _{or}	C _r	C _{or}	grease	oil			
				kN		kgf						
140	250	68	3.0	658.00	928.00	67,116	94,656	1300	1700	22228MBW33		14.000
	300	102	4.0	1,100.00	1,410.00	112,200	143,820	1100	1400	22328CC		45.700
	300	102	4.0	1,100.00	1,410.00	112,200	143,820	1100	1400	22328CK		H2328 45.700
	300	102	4.0	1,100.00	1,410.00	112,200	143,820	1000	1300	22328KMBW33		H2328 34.100
	300	102	4.0	1,100.00	1,410.00	112,200	143,820	1000	1300	22328MBW33		34.500
	210	53	2.0	428.00	737.00	43,656	75,174	1700	2200	23028CC		7.200
	210	53	2.0	428.00	737.00	43,656	75,174	1700	2200	23028CK		H3028 7.200
	210	53	2.0	428.00	737.00	43,656	75,174	1500	2000	23028KMBW33		H3028 6.000
	210	53	2.0	428.00	737.00	43,656	75,174	1500	2000	23028MBW33		6.550
	225	68	2.1	561.00	934.00	57,222	95,268	1500	2000	23128CC		11.800
	225	68	2.1	561.00	934.00	57,222	95,268	1200	1600	23128CK		H3128 12.500
	225	68	2.1	561.00	934.00	57,222	95,268	1400	1800	23128KMBW33		H3128 10.200
	225	68	2.1	561.00	934.00	57,222	95,268	1400	1800	23128MBW33		10.500
	250	88	3.0	787.00	1,230.00	80,274	125,460	1100	1400	23228CC		20.800
	250	88	3.0	787.00	1,230.00	80,274	125,460	1100	1400	23228CK		H2328 20.800
	250	88	3.0	787.00	1,230.00	80,274	125,460	1000	1300	23228KMBW33		H2328 18.200
	250	88	3.0	787.00	1,230.00	80,274	125,460	1000	1300	23228MBW33		18.500
	210	69	2.0	503.00	922.00	51,306	94,044	1300	1700	24028CC		8.010
	210	69	2.0	503.00	922.00	51,306	94,044	1300	1700	24028CK		8.010
	210	69	2.0	503.00	922.00	51,306	94,044	1100	1500	24028K30MBW33		8.350
	210	69	2.0	503.00	922.00	51,306	94,044	1100	1500	24028MBW33		8.450
	225	85	2.1	690.00	1,236.00	70,380	126,072	1200	1600	24128CC		12.500
	225	85	2.1	690.00	1,236.00	70,380	126,072	1200	1600	24128CK		12.500
	225	85	2.1	690.00	1,236.00	70,380	126,072	850	1100	24128K30MBW33		13.000
225	85	2.1	690.00	1,236.00	70,380	126,072	850	1100	24128MBW33		13.200	
150	270	73	3.0	720.00	1,020.00	73,440	104,040	1200	1600	22230KMBW33		H3130 17.710
	270	73	3.0	720.00	1,020.00	73,440	104,040	1200	1600	22230MBW33		18.000
	320	108	4.0	1,230.00	1,600.00	125,460	163,200	1000	1300	22330KMBW33		H2330 43.100
	320	108	4.0	1,230.00	1,600.00	125,460	163,200	1000	1300	22330MBW33		43.500
	225	56	2.1	467.00	812.00	47,634	82,824	1500	2000	23030CC		8.570
	225	56	2.1	467.00	812.00	47,634	82,824	1500	2000	23030CK		H3030 8.570
	225	56	2.1	467.00	812.00	47,634	82,824	1400	1800	23030KMBW33		H3030 7.800
	225	56	2.1	467.00	812.00	47,634	82,824	1400	1800	23030MBW33		7.950
	250	80	2.1	689.00	1,230.00	70,278	125,460	1400	1900	23130CC		15.700
	250	80	2.1	689.00	1,230.00	70,278	125,460	1400	1900	23130CK		H3130 15.700
	250	80	2.1	689.00	1,230.00	70,278	125,460	1300	1700	23130KMBW33		H3130 16.000
	250	80	2.1	689.00	1,230.00	70,278	125,460	1300	1700	23130MBW33		16.300



d 150~170mm

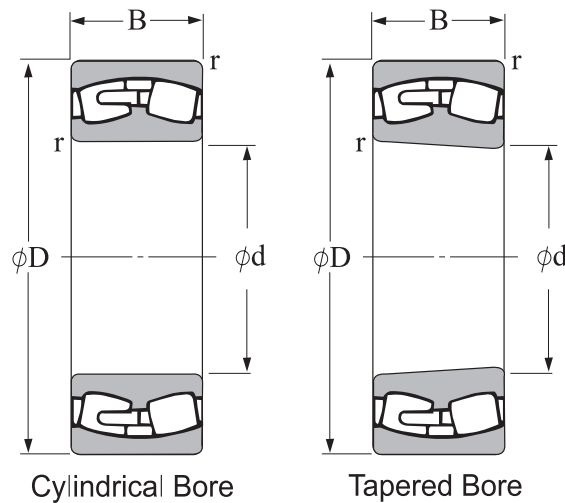
Boundary dimensions				Basic load ratings				Limiting speeds		Bearing numbers	Adapter sleeve	Mass kg (approx.)
mm				dynamic	static	dynamic	static	min ⁻¹				
d	D	B	r _{s min}	C _r	C _{or}	C _r	C _{or}	grease	oil			
				kN		kgf						
150	270	96	3.0	924.00	1,470.00	94,248	149,940	1000	1300	23230KMBW33	H2330	24.000
	270	96	3.0	924.00	1,470.00	94,248	149,940	1000	1300	23230MBW33		24.500
	225	75	2.1	587.00	1,100.00	59,874	112,200	1200	1500	24030CC		10.100
	225	75	2.1	587.00	1,100.00	59,874	112,200	1200	1500	24030CK		10.100
	225	75	2.1	587.00	1,100.00	59,874	112,200	1100	1400	24030K30MBW33		10.500
	225	75	2.1	587.00	1,100.00	59,874	112,200	1100	1400	24030MBW33		10.500
	250	100	2.1	910.00	1,650.00	92,820	168,300	1100	1400	24130CC		19.000
	250	100	2.1	910.00	1,650.00	92,820	168,300	1100	1400	24130CK		19.000
	250	100	2.1	910.00	1,650.00	92,820	168,300	850	1100	24130K30MBW33		19.100
	250	100	2.1	910.00	1,650.00	92,820	168,300	850	1100	24130MBW33		19.500
160	290	80	3.0	885.00	1,270.00	90,270	129,540	1100	1500	22232KMBW33	H3132	22.900
	290	80	3.0	885.00	1,270.00	90,270	129,540	1100	1500	22232MBW33		23.300
	340	114	4.0	1,380.00	1,790.00	140,760	182,580	1000	1200	22332KMBW33	H2332	50.000
	340	114	4.0	1,380.00	1,790.00	140,760	182,580	1000	1200	22332MBW33		50.800
	240	60	2.1	539.00	944.00	54,978	96,288	900	1100	23032KMBW33	H3032	9.500
	240	60	2.1	539.00	944.00	54,978	96,288	900	1100	23032MBW33		9.700
	270	86	2.1	796.00	1,380.00	81,192	140,760	840	1000	23132KMBW33	H3132	20.100
	270	86	2.1	796.00	1,380.00	81,192	140,760	840	1000	23132MBW33		20.500
	290	104	3.0	1,030.00	1,650.00	105,060	168,300	800	950	23232KMBW33	H2332	31.100
	290	104	3.0	1,030.00	1,650.00	105,060	168,300	800	950	23232MBW33		31.700
	240	80	2.1	670.00	1,260.00	68,340	128,520	725	900	24032K30MBW33		13.000
	240	80	2.1	670.00	1,260.00	68,340	128,520	725	900	24032MBW33		13.300
270	109	2.1	1,070.00	1,930.00	109,140	196,860	725	900	24132K30MBW33		24.600	
270	109	2.1	1,070.00	1,930.00	109,140	196,860	725	900	24132MBW33		24.600	
170	310	86	4.0	952.00	1,390.00	97,104	141,780	1100	1400	22234KMBW33	H3134	28.400
	310	86	4.0	952.00	1,390.00	97,104	141,780	1100	1400	22234MBW33		28.900
	360	120	4.0	1,460.00	1,920.00	148,920	195,840	1000	1100	22334KMBW33	H2334	60.200
	360	120	4.0	1,460.00	1,920.00	148,920	195,840	1000	1100	22334MBW33		62.200
	260	67	2.1	609.00	1,110.00	62,118	113,220	900	1000	23034KMBW33	H3034	13.300
	260	67	2.1	609.00	1,110.00	62,118	113,220	900	1000	23034MBW33		13.400
	280	88	2.1	888.00	1,490.00	90,576	151,980	850	950	23134KMBW33	H3134	22.000
	280	88	2.1	888.00	1,490.00	90,576	151,980	850	950	23134MBW33		22.300
	310	110	4.0	1,150.00	1,870.00	117,300	190,740	850	950	23234KMBW33	H2334	37.200
	310	110	4.0	1,150.00	1,870.00	117,300	190,740	850	950	23234MBW33		37.800
260	90	2.1	816.00	1,565.00	83,232	159,630	750	900	24034K30MBW33		17.200	



d 170~200mm

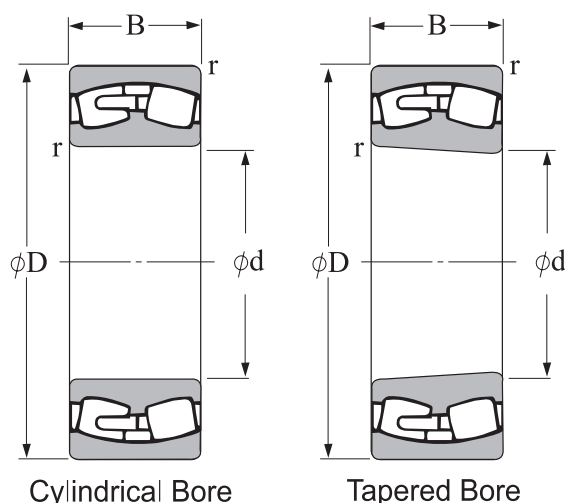
d	Boundary dimensions			Basic load ratings				Limiting speeds		Bearing numbers	Adapter sleeve	Mass (approx.) kg
	D	B	$r_{s\ min}$	dynamic	static	dynamic	static	min ⁻¹				
	mm	mm	mm	kN	kN	kgf	kgf	grease	oil			
170	260	90	2.1	816.00	1,565.00	83,232	159,630	750	900	24034MBW33		17.700
	280	109	2.1	1,100.00	1,980.00	112,200	201,960	750	900	24134K30MBW33		26.000
	280	109	2.1	1,100.00	1,980.00	112,200	201,960	750	900	24134MBW33		26.400
180	320	86	4.0	978.00	1,450.00	99,756	147,900	1100	1400	22236KMBW33	H3136	29.400
	320	86	4.0	978.00	1,450.00	99,756	147,900	1100	1400	22236MBW33		30.400
	380	126	4.0	1,740.00	2,360.00	177,480	240,720	1000	1300	22336KMBW33	H2336	68.200
	380	126	4.0	1,740.00	2,360.00	177,480	240,720	1000	1300	22336MBW33		69.000
	280	74	2.1	710.00	1,290.00	72,420	131,580	1050	1200	23036KMBW33	H3036	17.000
	280	74	2.1	710.00	1,290.00	72,420	131,580	1050	1200	23036MBW33		17.600
	300	96	3.0	1,000.00	1,800.00	102,000	183,600	1000	1100	23136KMBW33	H3136	28.000
	300	96	3.0	1,000.00	1,800.00	102,000	183,600	1000	1100	23136MBW33		28.400
	320	112	4.0	1,190.00	1,980.00	121,380	201,960	950	1000	23236KMBW33	H2336	40.100
	320	112	4.0	1,190.00	1,980.00	121,380	201,960	950	1000	23236MBW33		40.800
	280	100	2.1	955.00	1,870.00	97,410	190,740	900	1200	24036K30MBW33		23.000
	280	100	2.1	955.00	1,870.00	97,410	190,740	900	1200	24036MBW33		23.200
300	118	3.0	1,240.00	2,280.00	126,480	232,560	900	1200	24136K30MBW33		32.000	
300	118	3.0	1,240.00	2,280.00	126,480	232,560	900	1200	24136MBW33		32.000	
190	340	92	4.0	1,110.00	1,730.00	113,220	176,460	1000	1300	22238KMBW33	H3138	37.200
	340	92	4.0	1,110.00	1,730.00	113,220	176,460	1000	1300	22238MBW33		37.700
	400	132	5.0	1,900.00	2,610.00	193,800	266,220	1000	1200	22338KMBW33	H2338	83.000
	400	132	5.0	1,900.00	2,610.00	193,800	266,220	1000	1200	22338MBW33		84.800
	290	75	2.1	736.00	1,370.00	75,072	139,740	850	1100	23038KMBW33	H3038	18.000
	290	75	2.1	736.00	1,370.00	75,072	139,740	850	1100	23038MBW33		18.600
	320	104	3.0	1,090.00	2,000.00	111,180	204,000	850	1100	23138KMBW33	H3138	35.000
	320	104	3.0	1,090.00	2,000.00	111,180	204,000	850	1100	23138MBW33		35.600
	340	120	4.0	1,410.00	2,210.00	143,820	225,420	750	1000	23238KMBW33	H2338	48.100
	340	120	4.0	1,410.00	2,210.00	143,820	225,420	750	1000	23238MBW33		48.900
	290	100	2.1	1,004.00	1,960.00	102,408	199,920	700	900	24038K30MBW33		24.000
	290	100	2.1	1,004.00	1,960.00	102,408	199,920	700	900	24038MBW33		24.300
320	128	3.0	1,450.00	2,660.00	147,900	271,320	600	800	24138K30MBW33		41.200	
320	128	3.0	1,450.00	2,660.00	147,900	271,320	600	800	24138MBW33		41.800	
200	360	98	4.0	1,230.00	1,930.00	125,460	196,860	930	1200	22240KMBW33	H3140	47.700
	360	98	4.0	1,230.00	1,930.00	125,460	196,860	930	1200	22240MBW33		47.700
	420	138	5.0	2,010.00	2,750.00	205,020	280,500	700	1000	22340KMBW33	H2340	95.000

Spherical Roller Bearings



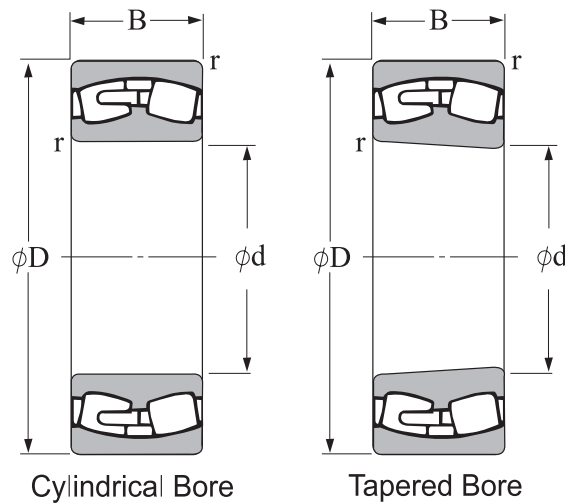
d 200~240mm

Boundary dimensions				Basic load ratings				Limiting speeds		Bearing numbers	Adapter sleeve	Mass kg (approx.)
mm				dynamic	static	dynamic	static	min ⁻¹				
d	D	B	r _{s.min}	C _r	C _{or}	C _r	C _{or}	grease	oil			
				kN		kgf						
200	420	138	5.0	2,010.00	2,750.00	205,020	280,500	700	1000	22340MBW33		95.000
	310	82	2.1	890.00	1,670.00	90,780	170,340	850	1000	23040KMBW33	H3040	23.500
	310	82	2.1	890.00	1,670.00	90,780	170,340	850	1000	23040MBW33		23.500
	340	112	3.0	1,240.00	2,250.00	126,480	229,500	850	1000	23140KMBW33	H3140	43.500
	340	112	3.0	1,240.00	2,250.00	126,480	229,500	850	1000	23140MBW33		43.500
	360	128	4.0	1,550.00	2,610.00	158,100	266,220	750	900	23240KMBW33	H2340	58.500
	360	128	4.0	1,550.00	2,610.00	158,100	266,220	750	900	23240MBW33		58.500
	310	109	2.1	1,150.00	2,280.00	117,300	232,560	700	800	24040K30MBW33		30.500
	310	109	2.1	1,150.00	2,280.00	117,300	232,560	700	800	24040MBW33		30.500
	340	140	3.0	1,620.00	3,030.00	165,240	309,060	560	750	24140K30MBW33		51.500
340	140	3.0	1,620.00	3,030.00	165,240	309,060	560	750	24140MBW33		51.500	
220	400	108	4.0	1,630.00	2,450.00	166,260	249,900	850	1100	22244KMBW33	H3144	63.000
	400	108	4.0	1,630.00	2,450.00	166,260	249,900	850	1100	22244MBW33		63.000
	460	145	5.0	2,380.00	3,380.00	242,760	344,760	720	960	22344KMBW33	H2344	120.000
	460	145	5.0	2,380.00	3,380.00	242,760	344,760	720	960	22344MBW33		120.000
	340	90	3.0	984.00	1,890.00	100,368	192,780	720	920	23044KMBW33	H3044	31.500
	340	90	3.0	984.00	1,890.00	100,368	192,780	720	920	23044MBW33		31.500
	370	120	4.0	1,440.00	2,700.00	146,880	275,400	720	920	23144KMBW33	H3144	54.500
	370	120	4.0	1,440.00	2,700.00	146,880	275,400	720	920	23144MBW33		54.500
	400	144	4.0	1,880.00	3,200.00	191,760	326,400	600	800	23244KMBW33	H2344	82.500
	400	144	4.0	1,880.00	3,200.00	191,760	326,400	600	800	23244MBW33		82.500
240	340	118	3.0	1,370.00	2,760.00	139,740	281,520	550	750	24044K30MBW33		39.500
	340	118	3.0	1,370.00	2,760.00	139,740	281,520	550	750	24044MBW33		39.500
	370	150	4.0	1,900.00	3,580.00	193,800	365,160	530	700	24144K30MBW33		65.000
	370	150	4.0	1,900.00	3,580.00	193,800	365,160	530	700	24144MBW33		65.000
	440	120	4.0	1,960.00	3,050.00	199,920	311,100	750	1000	22248KMBW33	H3148	85.500
	440	120	4.0	1,960.00	3,050.00	199,920	311,100	750	1000	22248MBW33		85.500
	500	155	5.0	2,610.00	4,020.00	266,220	410,040	700	900	22348KMBW33	H2348	151.000
	500	155	5.0	2,610.00	4,020.00	266,220	410,040	700	900	22348MBW33		151.000
360	92	3.0	1,100.00	2,170.00	112,200	221,340	860	840	23048KMBW33	H3048	34.500	
360	92	3.0	1,100.00	2,170.00	112,200	221,340	860	840	23048MBW33		34.500	
400	128	4.0	1,630.00	3,080.00	166,260	314,160	600	800	23148KMBW33	H3148	67.500	
400	128	4.0	1,630.00	3,080.00	166,260	314,160	600	800	23148MBW33		67.500	
440	160	4.0	2,340.00	3,990.00	238,680	406,980	560	750	23248KMBW33	H2348	110.000	
440	160	4.0	2,340.00	3,990.00	238,680	406,980	560	750	23248MBW33		110.000	



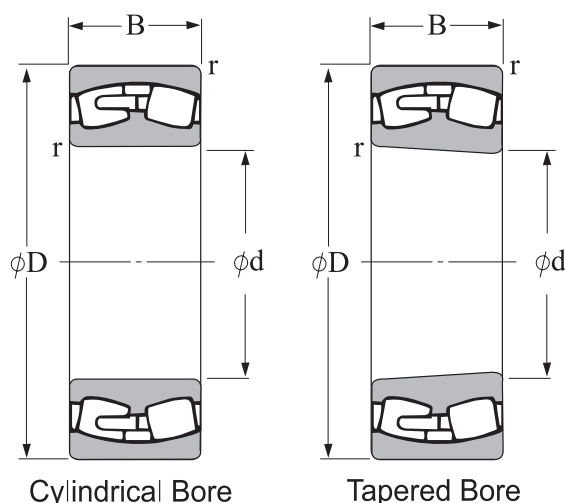
d 240~300mm

Boundary dimensions				Basic load ratings				Limiting speeds		Bearing numbers	Adapter sleeve	Mass kg (approx.)
mm				dynamic	static	dynamic	static	min ⁻¹				
d	D	B	r _{s min}	C _r	C _{or}	C _r	C _{or}	grease	oil			
				kN				kgf				
240	360	118	3.0	1,440.00	2,930.00	146,880	298,860	500	700	24048K30MBW33		42.500
	360	118	3.0	1,440.00	2,930.00	146,880	298,860	500	700	24048MBW33		42.500
	400	160	4.0	2,160.00	4,090.00	220,320	417,180	480	630	24148K30MBW33		80.500
	400	160	4.0	2,160.00	4,090.00	220,320	417,180	480	630	24148MBW33		80.500
260	480	130	5.0	2,240.00	3,450.00	228,480	351,900	670	900	22252KMBW33	H3152	111.000
	480	130	5.0	2,240.00	3,450.00	228,480	351,900	670	900	22252MBW33		111.000
	540	165	6.0	2,830.00	4,380.00	288,660	446,760	620	780	22352KMBW33	H2352	95.300
	540	165	6.0	2,830.00	4,380.00	288,660	446,760	620	780	22352MBW33		95.300
	400	104	4.0	1,330.00	2,570.00	135,660	262,140	600	720	23052KMBW33	H3052	50.500
	400	104	4.0	1,330.00	2,570.00	135,660	262,140	600	720	23052MBW33		50.500
	440	144	4.0	2,100.00	3,860.00	214,200	393,720	550	690	23152KMBW33	H3152	93.500
	440	144	4.0	2,100.00	3,860.00	214,200	393,720	550	690	23152MBW33		93.500
	480	174	5.0	2,750.00	4,640.00	280,500	473,280	500	670	23252KMBW33	H2352	142.000
	480	174	5.0	2,750.00	4,640.00	280,500	473,280	500	670	23252MBW33		142.000
	400	140	4.0	1,840.00	3,850.00	187,680	392,700	600	800	24052K30MBW33		66.000
	400	140	4.0	1,840.00	3,850.00	187,680	392,700	600	800	24052MBW33		66.000
440	180	4.0	2,730.00	5,330.00	278,460	543,660	500	670	24152K30MBW33		114.000	
440	180	4.0	2,730.00	5,330.00	278,460	543,660	500	670	24152MBW33		114.000	
280	500	130	5.0	2,360.00	3,650.00	240,720	372,300	630	850	22256KMBW33	H3156	116.000
	500	130	5.0	2,360.00	3,650.00	240,720	372,300	630	850	22256MBW33		116.000
	580	175	6.0	3,150.00	4,910.00	321,300	500,820	530	710	22356KMBW33	H2356	238.000
	580	175	6.0	3,150.00	4,910.00	321,300	500,820	530	710	22356MBW33		238.000
	420	106	4.0	1,430.00	2,860.00	145,860	291,720	750	1000	23056KMBW33	H3056	53.000
	420	106	4.0	1,430.00	2,860.00	145,860	291,720	750	1000	23056MBW33		53.000
	460	146	5.0	2,140.00	4,280.00	218,280	436,560	670	900	23156KMBW33	H3156	100.000
	460	146	5.0	2,140.00	4,280.00	218,280	436,560	670	900	23156MBW33		100.000
	500	176	5.0	2,690.00	4,910.00	274,380	500,820	480	630	23256KMBW33	H2356	153.000
	500	176	5.0	2,690.00	4,910.00	274,380	500,820	480	630	23256MBW33		153.000
	420	140	4.0	1,960.00	4,100.00	199,920	418,200	560	750	24056K30MBW33		68.500
	420	140	4.0	1,960.00	4,100.00	199,920	418,200	560	750	24056MBW33		68.500
460	180	5.0	2,810.00	5,480.00	286,620	558,960	400	530	24156K30MBW33		118.000	
460	180	5.0	2,810.00	5,480.00	286,620	558,960	400	530	24156MBW33		118.000	
300	460	118	4.0	1,750.00	3,480.00	178,500	354,960	670	900	23060KMBW33	H3060	73.500
	460	118	4.0	1,750.00	3,480.00	178,500	354,960	670	900	23060MBW33		73.500



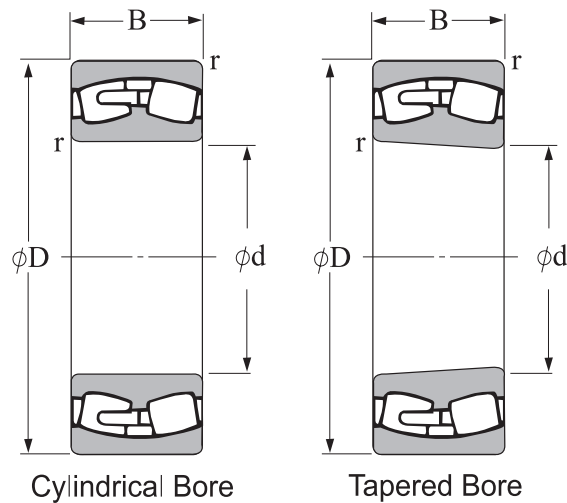
d 300~360mm

Boundary dimensions				Basic load ratings				Limiting speeds		Bearing numbers	Adapter sleeve	Mass kg (approx.)
mm				dynamic	static	dynamic	static	min ⁻¹				
d	D	B	r _{s min}	C _r	C _{or}	C _r	C _{or}	grease	oil			
				kN	kgf							
300	500	160	5.0	2,490.00	4,850.00	253,980	494,700	630	850	23160KMBW33	H3160	130.000
	500	160	5.0	2,490.00	4,850.00	253,980	494,700	630	850	23160MBW33		130.000
	540	192	5.0	3,430.00	5,910.00	349,860	602,820	450	600	23260KMBW33	H2360	195.000
	540	192	5.0	3,430.00	5,910.00	349,860	602,820	450	600	23260MBW33		195.000
	460	160	4.0	2,430.00	5,160.00	247,860	526,320	560	750	24060K30MBW33		97.000
	460	160	4.0	2,430.00	5,160.00	247,860	526,320	560	750	24060MBW33		97.000
	500	200	5.0	3,213.00	6,011.00	327,726	613,122	430	560	24160K30MBW33		159.000
	500	200	5.0	3,213.00	6,011.00	327,726	613,122	430	560	24160MBW33		159.000
320	580	150	5.0	3,050.00	4,900.00	311,100	499,800	560	750	22264KMBW33	H3164	181.000
	580	150	5.0	3,050.00	4,900.00	311,100	499,800	560	750	22264MBW33		181.000
	480	121	4.0	1,830.00	3,740.00	186,660	381,480	630	850	23064KMBW33	H3064	79.500
	480	121	4.0	1,830.00	3,740.00	186,660	381,480	630	850	23064MBW33		79.500
	540	176	5.0	3,200.00	6,000.00	326,400	612,000	670	900	23164KMBW33	H3164	165.000
	540	176	5.0	3,200.00	6,000.00	326,400	612,000	600	800	23164MBW33		171.000
	580	208	5.0	3,900.00	6,950.00	397,800	708,900	430	560	23264KMBW33	H3164	247.000
	580	208	5.0	3,900.00	6,950.00	397,800	708,900	430	560	23264MBW33		247.000
	480	160	4.0	2,480.00	5,100.00	252,960	520,200	530	700	24064K30MBW33		106.000
	480	160	4.0	2,480.00	5,100.00	252,960	520,200	530	700	24064MBW33		106.000
340	520	133	5.0	2,360.00	4,550.00	240,720	464,100	600	800	23068KMBW33	H3064	108.000
	520	133	5.0	2,360.00	4,550.00	240,720	464,100	600	800	23068MBW33		108.000
	580	190	5.0	3,650.00	6,950.00	372,300	708,900	560	750	23168KMBW33	H3168	216.000
	580	190	5.0	3,650.00	6,950.00	372,300	708,900	560	750	23168MBW33		216.000
	620	224	6.0	4,500.00	8,150.00	459,000	831,300	450	600	23268KMBW33	H3268	305.000
	620	224	6.0	4,500.00	8,150.00	459,000	831,300	450	600	23268MBW33		305.000
	520	180	5.0	3,100.00	6,550.00	316,200	668,100	500	670	24068K30MBW33		143.000
	520	180	5.0	3,100.00	6,550.00	316,200	668,100	500	670	24068MBW33		143.000
	580	243	5.0	4,400.00	8,500.00	448,800	867,000	340	450	24168K30MBW33		283.000
	580	243	5.0	4,400.00	8,500.00	448,800	867,000	340	450	24168MBW33		283.000
360	540	134	5.0	2,450.00	4,800.00	249,900	489,600	560	750	23072KMBW33	H3072	111.000
	540	134	5.0	2,450.00	4,800.00	249,900	489,600	560	750	23072MBW33		111.000
	600	192	5.0	3,800.00	7,350.00	387,600	749,700	530	700	23172KMBW33	H3172	228.000
	600	192	5.0	3,800.00	7,350.00	387,600	749,700	530	700	23172MBW33		228.000



d 360~420mm

Boundary dimensions				Basic load ratings				Limiting speeds		Bearing numbers	Adapter sleeve	Mass kg (approx.)
mm				dynamic	static	dynamic	static	min ⁻¹				
d	D	B	r _{s min}	C _r	C _{or}	C _r	C _{or}	grease	oil			
				kN				kgf				
360	650	232	6.0	4,900.00	9,150.00	499,800	933,300	430	800	23272KMBW33	H3272	341.000
	650	232	6.0	4,900.00	9,150.00	499,800	933,300	430	800	23272MBW33		341.000
	540	180	5.0	3,250.00	6,800.00	331,500	693,600	480	630	24072K30MBW33		145.000
	540	180	5.0	3,250.00	6,800.00	331,500	693,600	480	630	24072MBW33		145.000
	600	243	5.0	4,500.00	9,000.00	459,000	918,000	360	480	24172K30MBW33		279.000
	600	243	5.0	4,500.00	9,000.00	459,000	918,000	360	480	24172MBW33		279.000
380	560	135	5.0	2,550.00	5,300.00	260,100	540,600	530	700	23076KMBW33	H3076	117.000
	560	135	5.0	2,550.00	5,300.00	260,100	540,600	530	700	23076MBW33		117.000
	620	194	5.0	4,050.00	8,150.00	413,100	831,300	500	670	23176KMBW33	H3176	242.000
	620	194	5.0	4,050.00	8,150.00	413,100	831,300	500	670	23176MBW33		242.000
	680	240	6.0	5,300.00	9,800.00	540,600	999,600	360	480	23276KMBW33	H3276	390.000
	680	240	6.0	5,300.00	9,800.00	540,600	999,600	360	480	23276MBW33		390.000
	560	180	5.0	3,350.00	7,200.00	341,700	734,400	450	600	24076K30MBW33		152.000
	560	180	5.0	3,350.00	7,200.00	341,700	734,400	450	600	24076MBW33		152.000
	620	243	5.0	4,650.00	9,500.00	474,300	969,000	340	450	24176K30MBW33		300.000
	620	243	5.0	4,650.00	9,500.00	474,300	969,000	340	450	24176MBW33		300.000
400	600	148	5.0	3,050.00	6,200.00	311,100	632,400	500	670	23080KMBW33	H3080	152.000
	600	148	5.0	3,050.00	6,200.00	311,100	632,400	500	670	23080MBW33		152.000
	650	200	6.0	4,250.00	8,500.00	433,500	867,000	480	630	23180KMBW33	H3180	270.000
	650	200	6.0	4,250.00	8,500.00	433,500	867,000	480	630	23180MBW33		270.000
	720	256	6.0	5,700.00	10,800.00	581,400	1,101,600	380	700	23280KMBW33	H3280	468.000
	720	256	6.0	5,700.00	10,800.00	581,400	1,101,600	380	700	23280MBW33		468.000
	600	200	5.0	3,900.00	8,500.00	397,800	867,000	430	560	24080K30MBW33		205.000
	600	200	5.0	3,900.00	8,500.00	397,800	867,000	430	560	24080MBW33		205.000
	650	250	6.0	5,100.00	10,400.00	520,200	1,060,800	320	430	24180K30MBW33		340.000
	650	250	6.0	5,100.00	10,400.00	520,200	1,060,800	320	430	24180MBW33		340.000
420	620	150	5.0	3,150.00	6,550.00	321,300	668,100	500	670	23084KMBW33	H3084	160.000
	620	150	5.0	3,150.00	6,550.00	321,300	668,100	500	670	23084MBW33		160.000
	700	224	6.0	5,000.00	9,650.00	510,000	984,300	500	670	23184KMBW33	H3184	363.000
	700	224	6.0	5,000.00	9,650.00	510,000	984,300	500	670	23184MBW33		363.000
	760	272	7.5	6,550.00	12,200.00	668,100	1,244,400	320	430	23284KMBW33	H3284	553.000
	760	272	7.5	6,550.00	12,200.00	668,100	1,244,400	320	430	23284MBW33		553.000
	620	200	5.0	4,000.00	8,800.00	408,000	897,600	430	560	24084K30MBW33		210.000
	620	200	5.0	4,000.00	8,800.00	408,000	897,600	430	560	24084MBW33		210.000



d 420~460mm

d	Boundary dimensions			Basic load ratings				Limiting speeds		Bearing numbers	Adapter sleeve	Mass kg (approx.)
	mm			dynamic	static	dynamic	static	min ⁻¹				
	D	B	r _{s min}	C _r	C _{or}	C _r	C _{or}	grease	oil			
420	700	280	6.0	6,200.00	12,700.00	632,400	1,295,400	300	400	24184K30MBW33		445.000
	700	280	6.0	6,200.00	12,700.00	632,400	1,295,400	300	400	24184MBW33		445.000
440	650	157	6.0	3,400.00	7,100.00	346,800	724,200	530	700	23088KMBW33	H3088	180.000
	650	157	6.0	3,400.00	7,100.00	346,800	724,200	530	700	23088MBW33		180.000
	720	226	6.0	5,200.00	10,400.00	530,400	1,060,800	500	670	23188KMBW33	H3188	360.000
	720	226	6.0	5,200.00	10,400.00	530,400	1,060,800	500	670	23188MBW33		360.000
	790	280	7.5	7,100.00	13,400.00	724,200	1,366,800	360	480	23288KMBW33	H3288	595.000
	790	280	7.5	7,100.00	13,400.00	724,200	1,366,800	360	480	23288MBW33		595.000
	650	212	6.0	4,300.00	9,650.00	438,600	984,300	400	530	24088K30MBW33		245.000
	650	212	6.0	4,300.00	9,650.00	438,600	984,300	400	530	24088MBW33		245.000
	720	280	6.0	6,400.00	13,200.00	652,800	1,346,400	300	400	24188K30MBW33		460.000
	720	280	6.0	6,400.00	13,200.00	652,800	1,346,400	300	400	24188MBW33		460.000
460	680	163	6.0	3,650.00	7,650.00	372,300	780,300	450	600	23092KMBW33	H3092	209.000
	680	163	6.0	3,650.00	7,650.00	372,300	780,300	450	600	23092MBW33		209.000
	760	240	7.5	5,850.00	11,600.00	596,700	1,183,200	480	630	23192KMBW33	H3192	441.000
	760	240	7.5	5,850.00	11,600.00	596,700	1,183,200	480	630	23192MBW33		441.000
	830	296	7.5	7,800.00	15,000.00	795,600	1,530,000	340	450	23292KMBW33	H3292	695.000
	830	296	7.5	7,800.00	15,000.00	795,600	1,530,000	340	450	23292MBW33		695.000
	680	218	6.0	4,750.00	10,600.00	484,500	1,081,200	380	500	24092K30MBW33		280.000
	680	218	6.0	4,750.00	10,600.00	484,500	1,081,200	380	500	24092MBW33		280.000
	760	300	7.5	7,500.00	15,600.00	765,000	1,591,200	280	380	24192K30MBW33		560.000
	760	300	7.5	7,500.00	15,600.00	765,000	1,591,200	280	380	24192MBW33		560.000